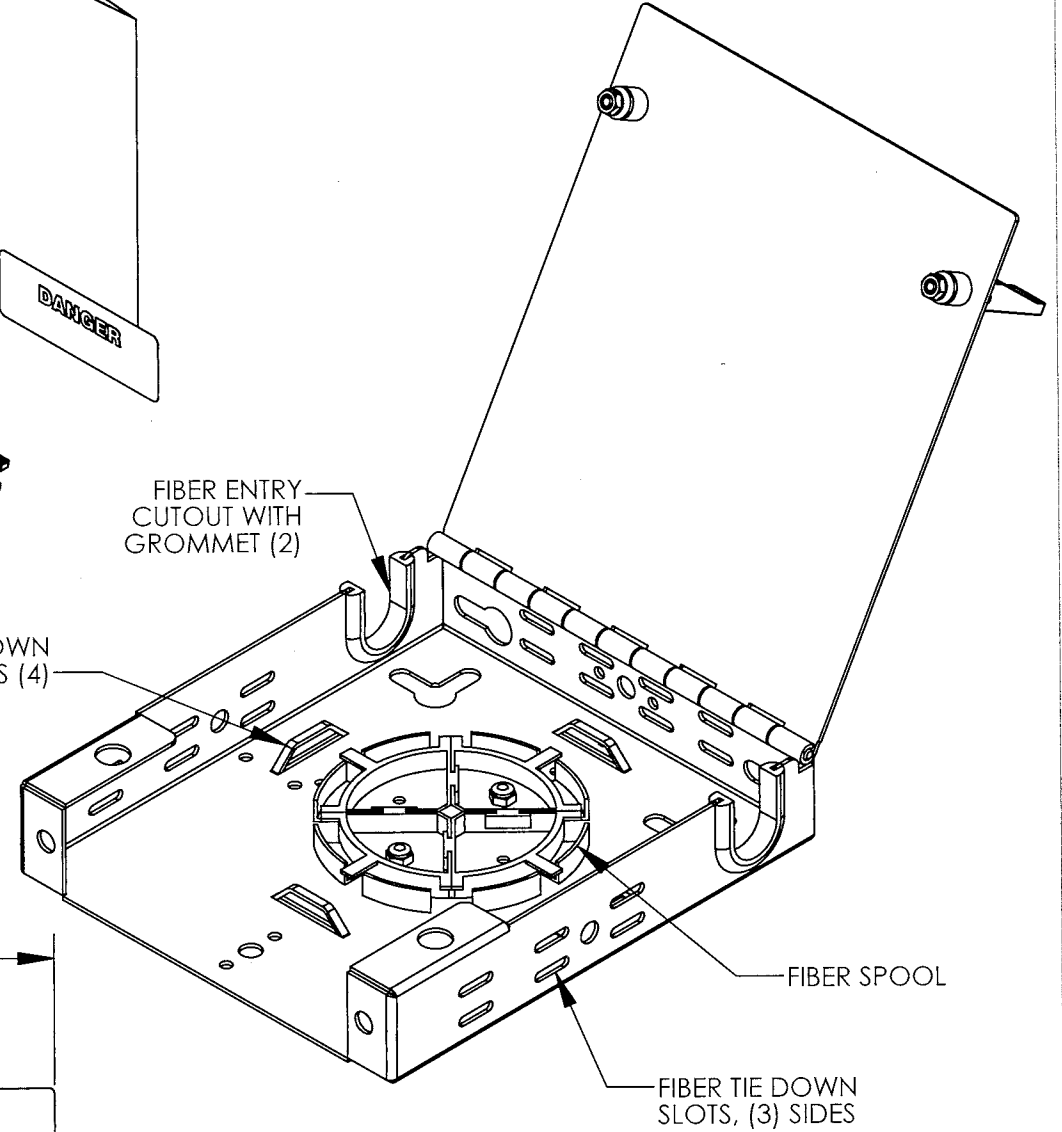
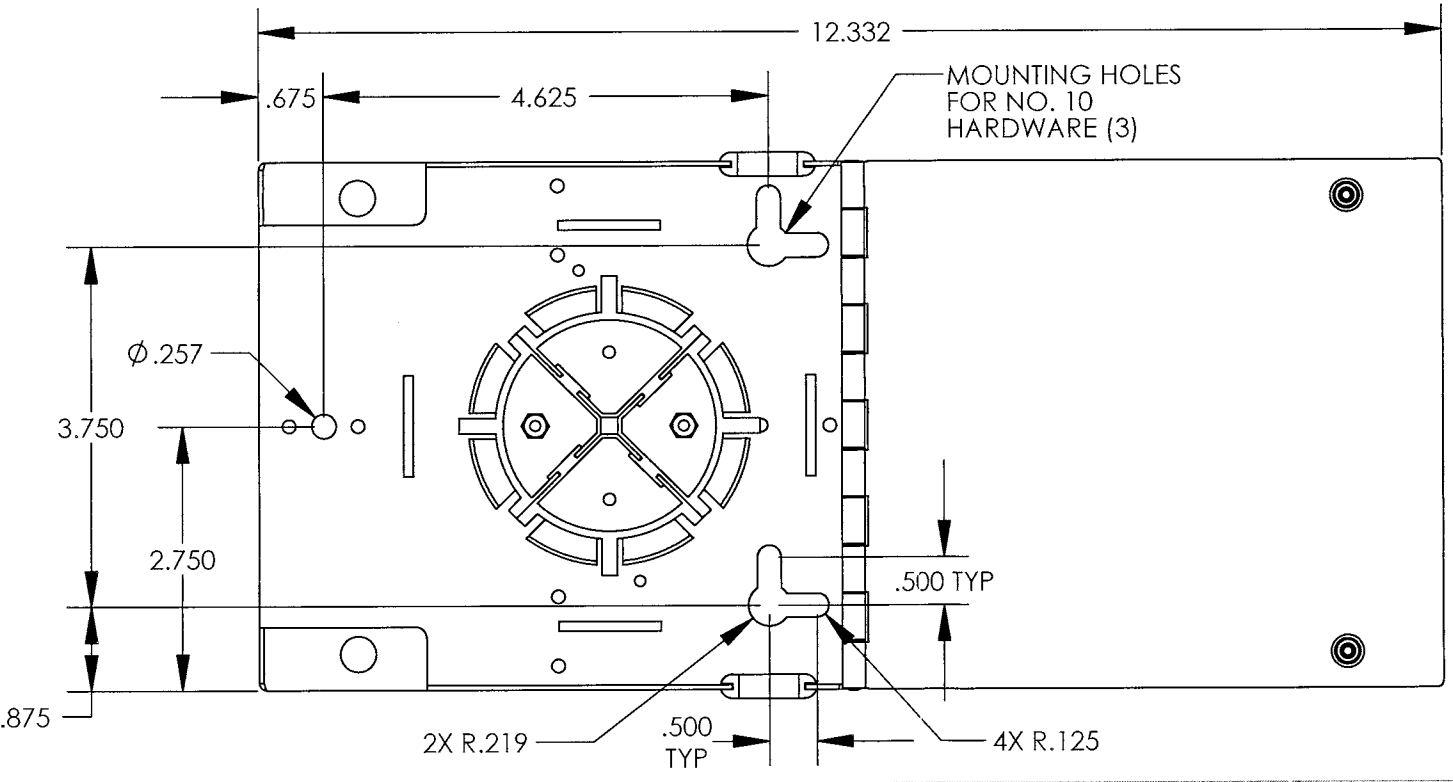
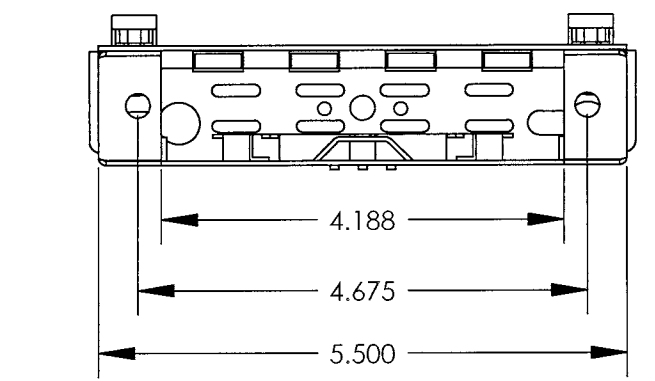
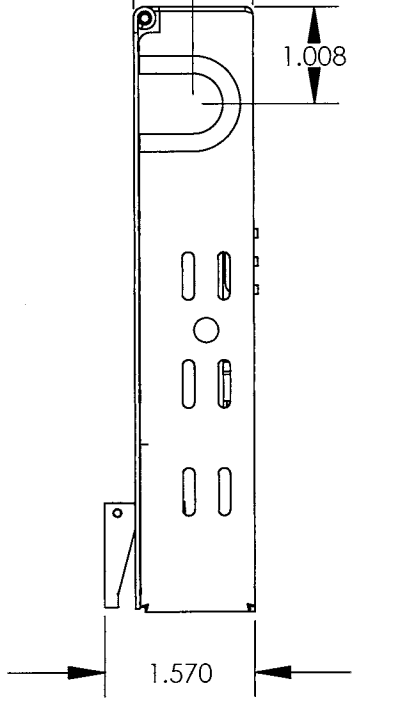
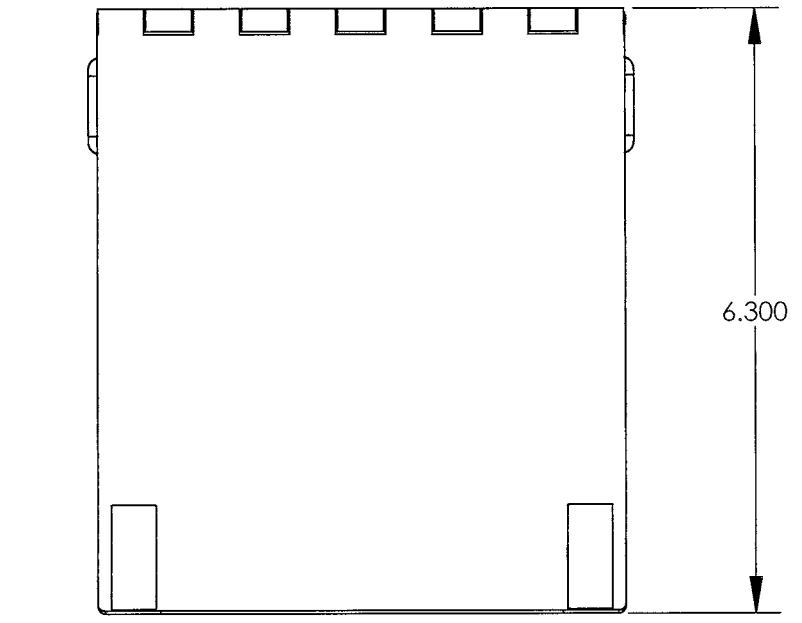
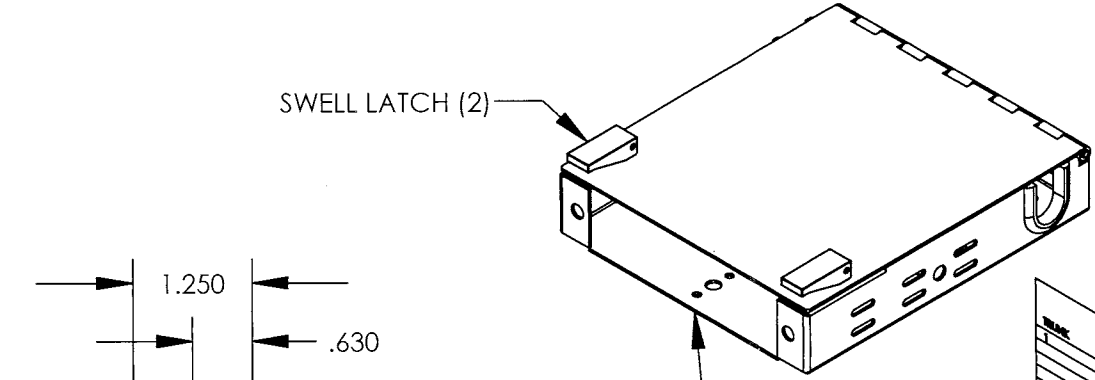
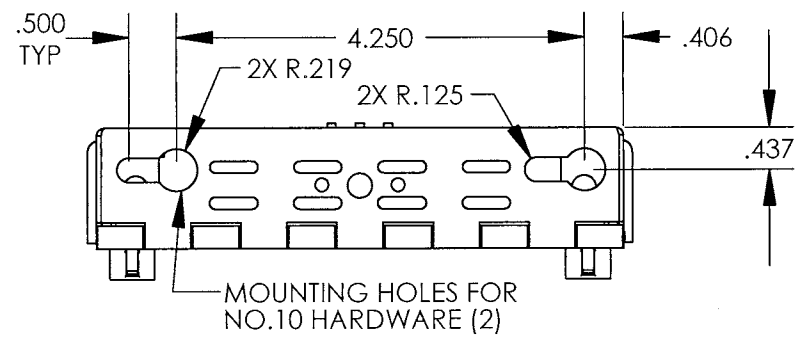


REV.	ECN #	DESCRIPTION OF CHANGE	DATE	BY	MFG ENG
01	N/A	INITIAL RELEASE	10/20/08	SAB	
02	2636	UPDATE BASE	05/02/12	SAB	
03	2983	UPD BASE, ADD CARTON, INSERT	03/12/13	SAB	



NOTES:
1. ALSO AVAILABLE IN OFF WHITE, P/N 045-164-11.

UNLESS OTHERWISE SPECIFIED DIMENSIONS ARE IN INCHES TOLERANCES ARE:
FRACTIONS: DECIMALS: ANGLES:
±1/32 .XX=±.03 ±1°
.XXX=±.010
ALL FLATS TO BE ±.005
NO SHARP EDGES OR BURRS ALLOWED

THIS DOCUMENT AND THE INFORMATION CONTAINED THEREIN ARE CONFIDENTIAL & PROPRIETARY TO MULTILINK AND MAY NOT BE COPIED OR DISCLOSED TO OTHERS WITHOUT A WRITTEN CONSENT FROM MULTILINK. THE INFORMATION IS TO BE PROMPTLY RETURNED TO MULTILINK UPON REQUEST.
DRAWN BY: SAB DATE: 06/04/2008
CHECKED: DATE:
MATERIAL: SEE B.O.M.
FINISH: BLACK TEXTURED
MFG ENG: DATE:
QUALITY ENG: DATE:

Multilink

FWM-1X-BK W/ SPOOL

SIZE **B** DWG. NO. 045-164-10REF REV. 03
SCALE: 1:2 CAD FILE: 045-164-10REF SHEET: 1 OF 1