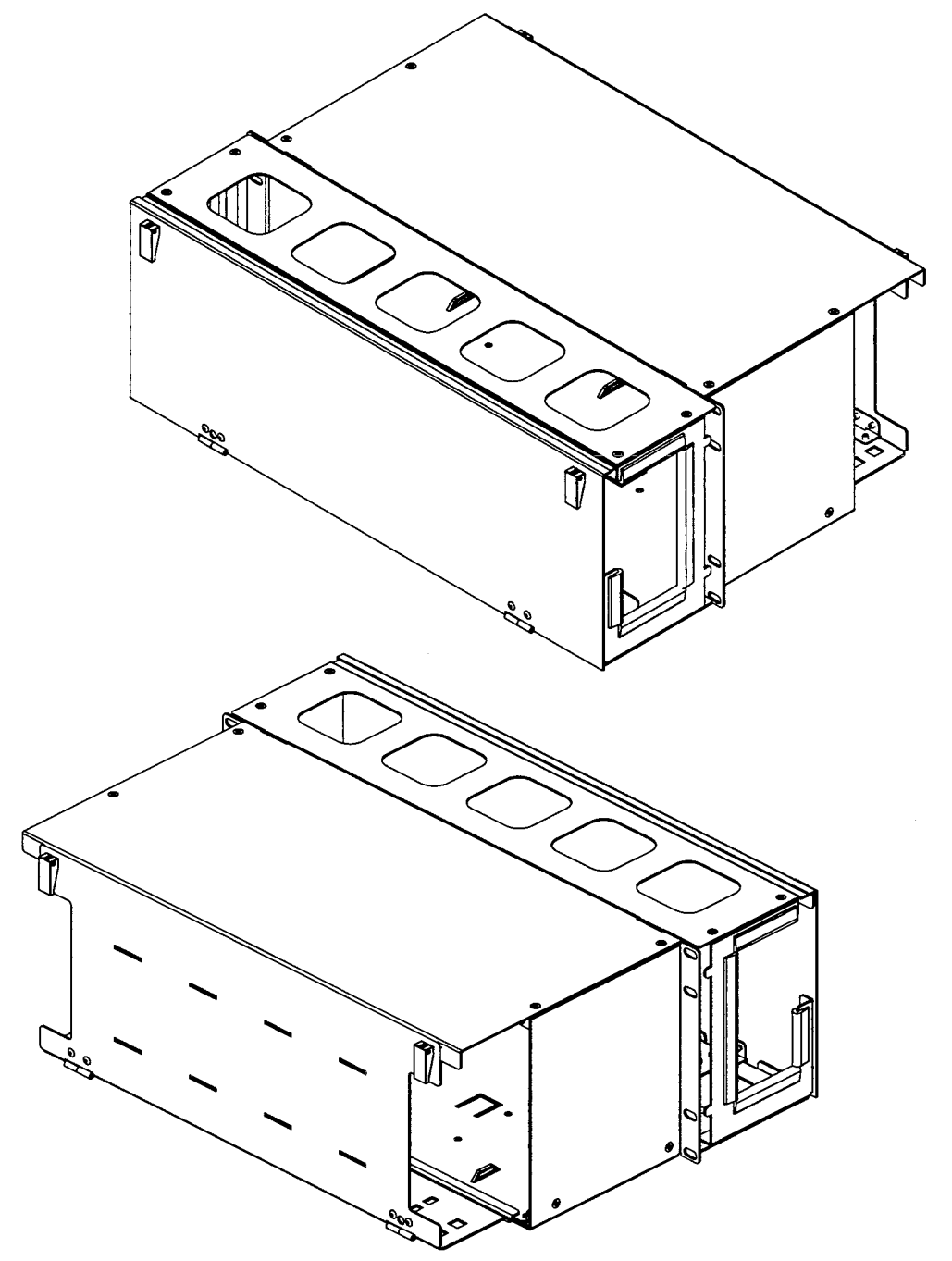
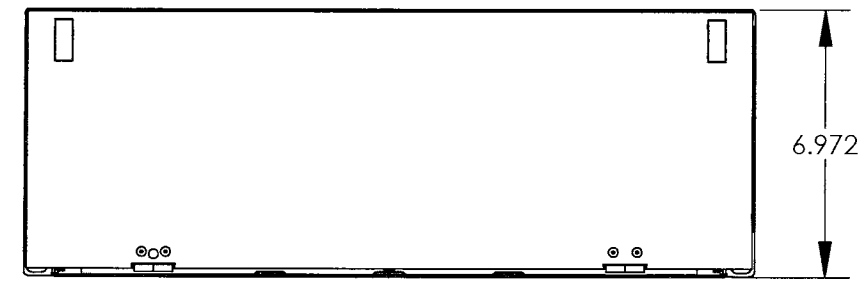
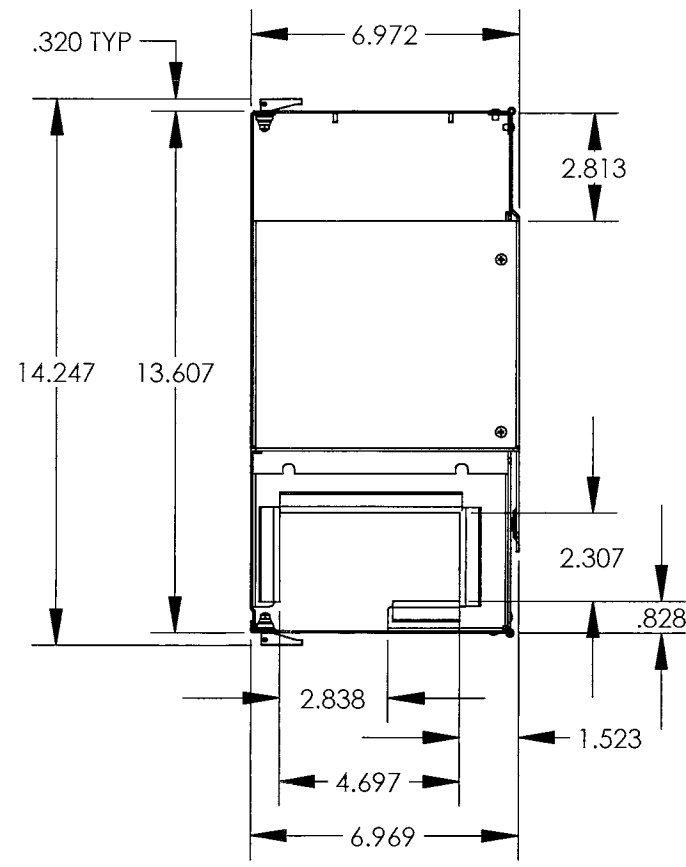
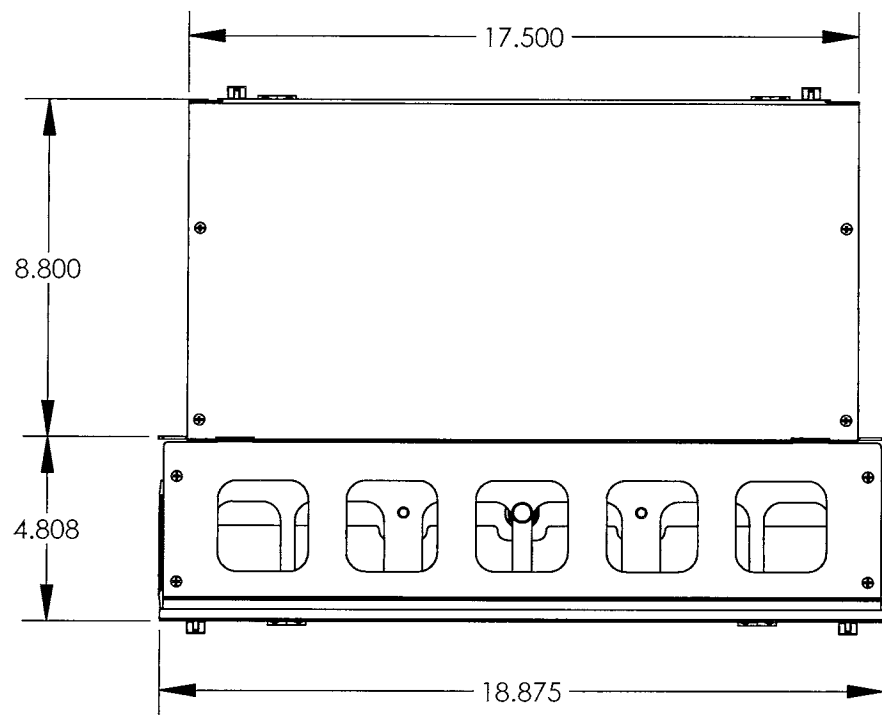
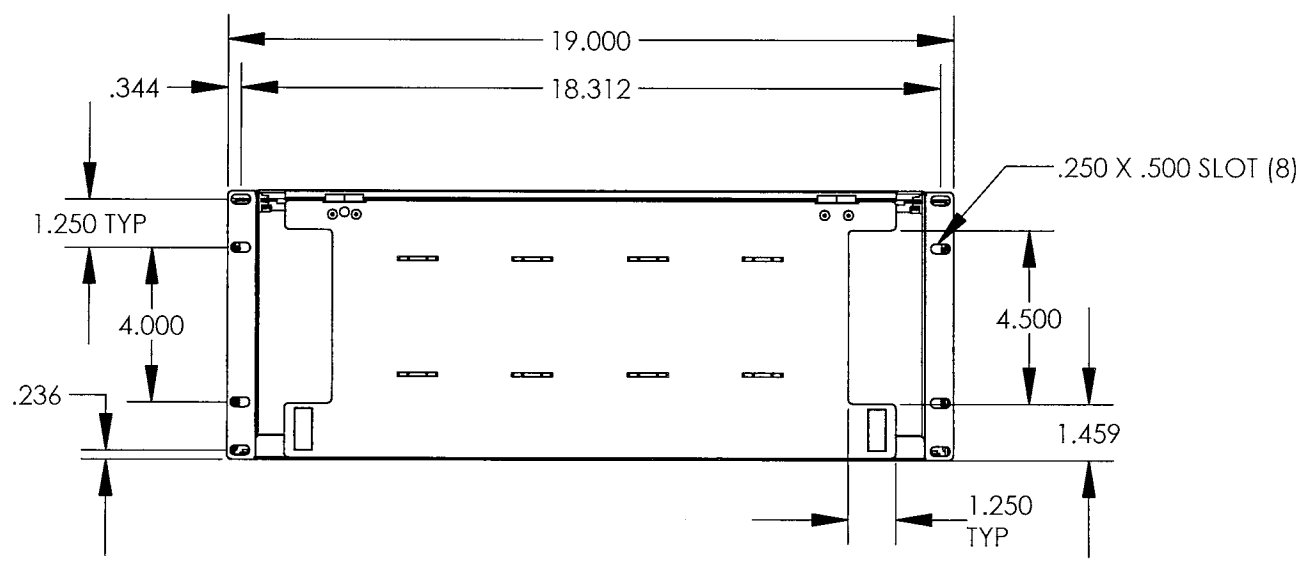
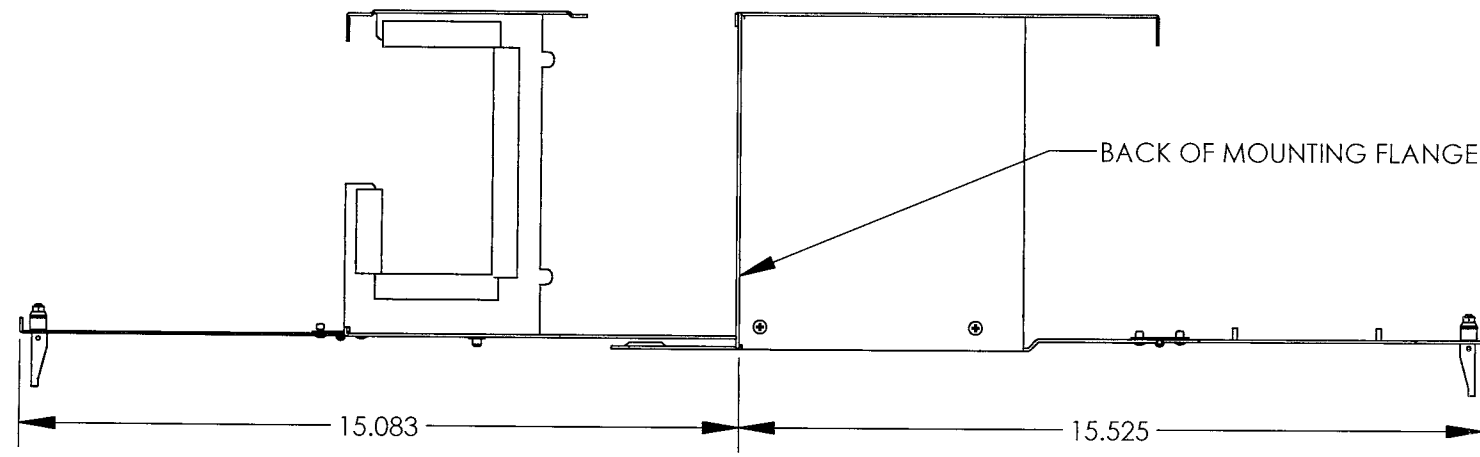


REV.	ECN #	DESCRIPTION OF CHANGE	DATE	BY	MFG ENG
01	N/A	INITIAL RELEASE	03/21/13	L.P.K.	
02	3078	ADD HINGED REAR PANEL	07/26/13	SAB	

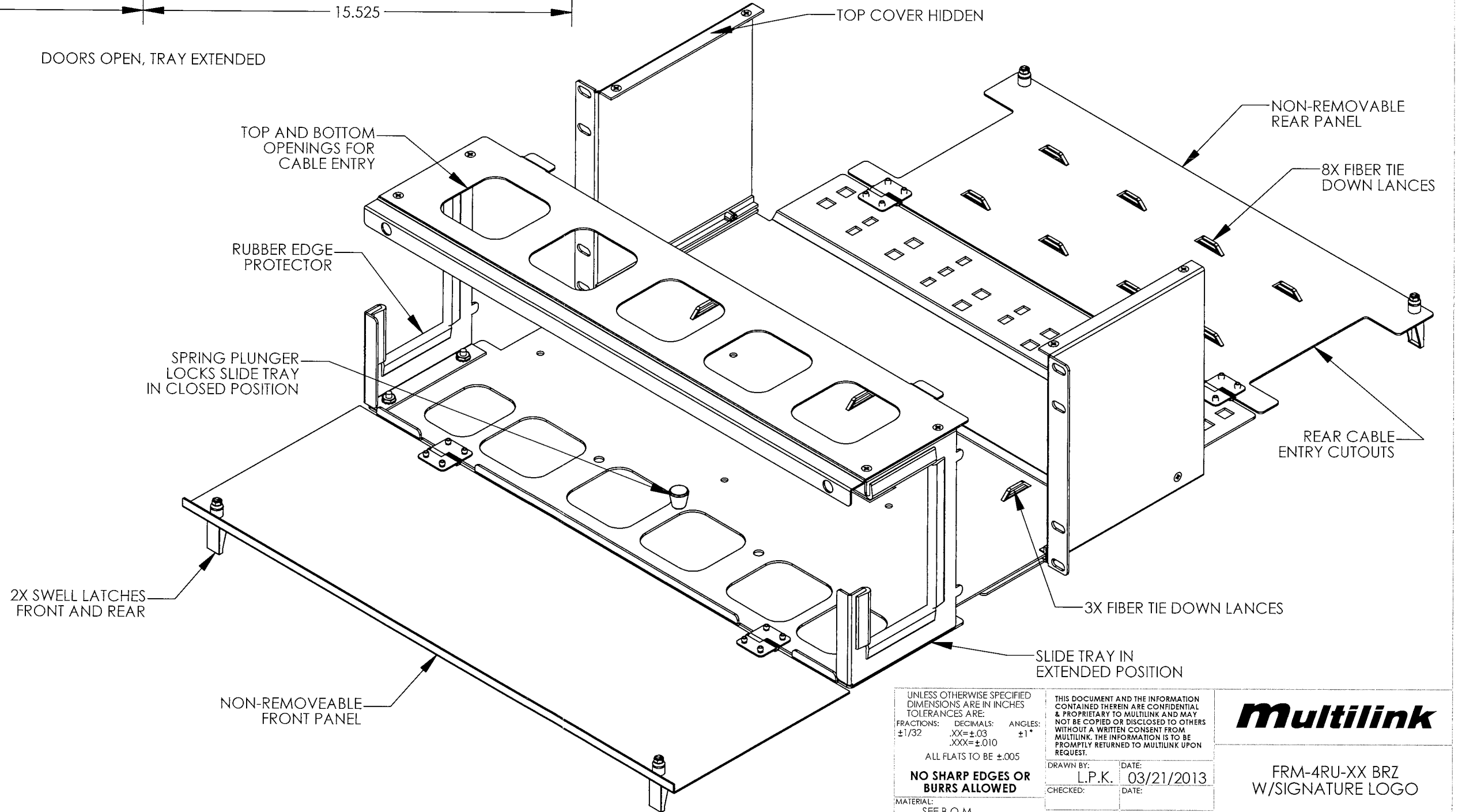


UNLESS OTHERWISE SPECIFIED DIMENSIONS ARE IN INCHES TOLERANCES ARE: FRACTIONS: ±1/32 DECIMALS: .XX=±.03 ANGLES: ±1° .XXX=±.010 ALL FLATS TO BE ±.005		THIS DOCUMENT AND THE INFORMATION CONTAINED THEREIN ARE CONFIDENTIAL & PROPRIETARY TO MULTILINK AND MAY NOT BE COPIED OR DISCLOSED TO OTHERS WITHOUT A WRITTEN CONSENT FROM MULTILINK. THE INFORMATION IS TO BE PROMPTLY RETURNED TO MULTILINK UPON REQUEST.		Multilink	
NO SHARP EDGES OR BURRS ALLOWED		DRAWN BY: L.P.K. CHECKED:	DATE: 03/21/2013 DATE:	FRM-4RU-XX BRZ W/SIGNATURE LOGO	
MATERIAL: SEE B.O.M. FINISH: QUAKER-40 BRONZE DO NOT SCALE DRAWING	MFG ENG: QUALITY ENG:	DATE: DATE:	DATE: DATE:	SIZE: B DWG. NO.: 045-763-00REF SCALE: 1:5 CAD FILE: 045-763-00REF	REV. 02 SHEET: 1 OF 2

REV.	ECN #	DESCRIPTION OF CHANGE	DATE	BY	MFG ENG
01	N/A	INITIAL RELEASE	03/21/13	L.P.K.	
02	3078	ADD HINGED REAR PANEL	07/26/13	SAB	



DOORS OPEN, TRAY EXTENDED



UNLESS OTHERWISE SPECIFIED DIMENSIONS ARE IN INCHES TOLERANCES ARE:
 FRACTIONS: ±1/32
 DECIMALS: .XX=±.03
 ANGLES: ±1°
 .XXX=±.010
 ALL FLATS TO BE ±.005
NO SHARP EDGES OR BURRS ALLOWED
 MATERIAL: SEE B.O.M.
 FINISH: QUAKER-40 BRONZE
 DO NOT SCALE DRAWING

THIS DOCUMENT AND THE INFORMATION CONTAINED THEREIN ARE CONFIDENTIAL & PROPRIETARY TO MULTILINK AND MAY NOT BE COPIED OR DISCLOSED TO OTHERS WITHOUT A WRITTEN CONSENT FROM MULTILINK. THE INFORMATION IS TO BE PROMPTLY RETURNED TO MULTILINK UPON REQUEST.

DRAWN BY: L.P.K. DATE: 03/21/2013
 CHECKED: DATE:
 MFG ENG: DATE:
 QUALITY ENG: DATE:



FRM-4RU-XX BRZ
 W/SIGNATURE LOGO