

4048-D Dome Splice Enclosure



Product Description

The Multilink Starfighter™ 4048D Fiber Optic Dome Splice Closure is an “all parts” inclusive hermetically sealed splice enclosure designed for ease of assembly and reentry. The closure is designed with a gasketed split end plate for mid-access cable applications and includes an integrated slack storage basket, interlocking splice trays via a modified keyhole style stacking module, and an easy to install no special tool sealing system. All major hardware is factory installed to allow for quick field installation. Universal Multicentric Grommets along with compression style lateral or branch cable seals, makes installing the enclosure easy to assemble. The 4048D is a medium capacity closure that can be used in aerial, pedestal, and underground applications.

Features & Benefits

- Utilizes a Multicentric grommet, enabling numerous cable sizes to be used
- Split end plate design allows for mid-span cable access
- Four branch or lateral cable ports designed to support single or multiple cable entries
- Compression sealing system for branch or lateral ports, providing a tight seal and a strain relief
- Can accommodate strand, wall, pedestal, or ADSS mounting brackets

Copyright © 2020 Multilink Inc. • All rights reserved • Specifications subject to change without notice • Rev. December 11, 2020

Multilink
Simply More...



YouTube
youtube.com/gomultilink

Specifications

Parameter	Specification
Dimensions:	19.29" L x 8.5" Dia.
Cable Entry:	(2) Express/Feeder (4) Branch or Lateral
Capacity:	(4) 4048-SSTP Splice Trays (6) Cables (96) Single Splices OR (192) Ribbon Splices
Express Dia:	Max .75" (19mm) Min .30" (7.62mm)
Branch Dia:	Max .63" (16mm) Min .27" (6.9mm)
Weight:	7.5 lbs. (3.4kg)
Material:	Dome - Polyethylene V-Band - Polycarbonate End Plates - Polypropylene
Safety Standards:	UL 1863 Certified to IEC60950 IP66 Designed to GR-771

Ordering Guide

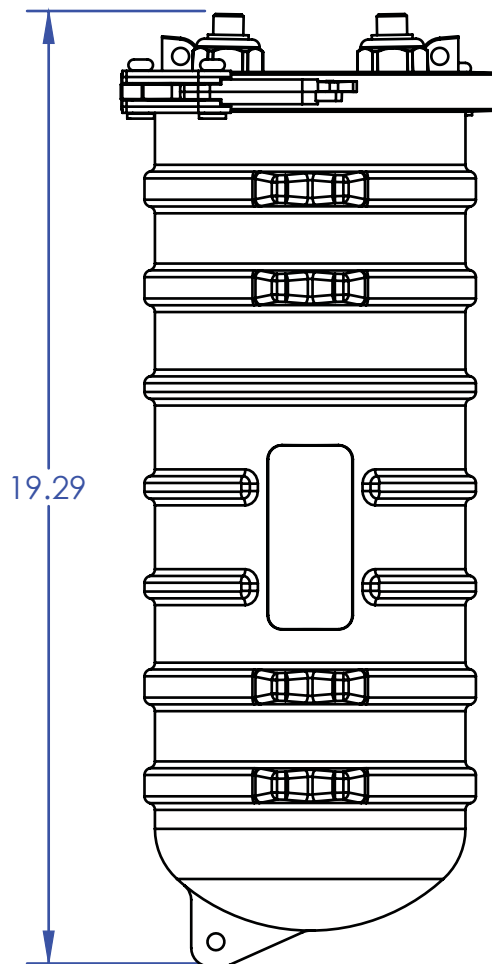
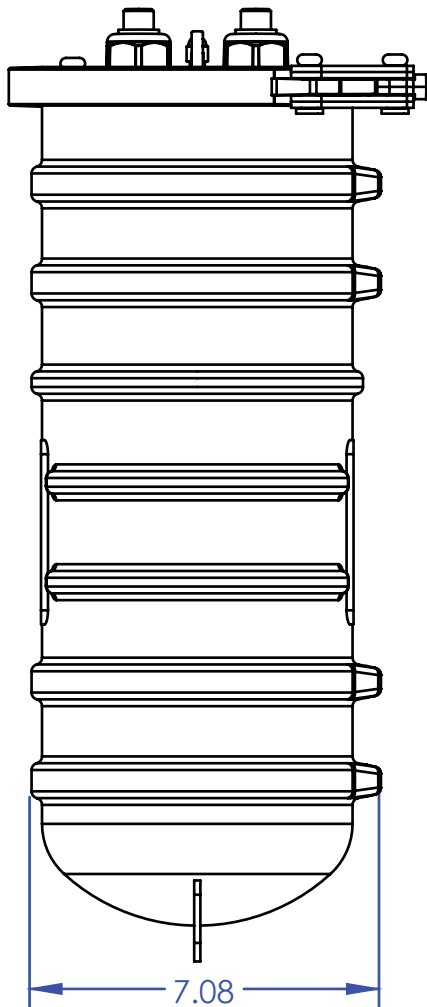
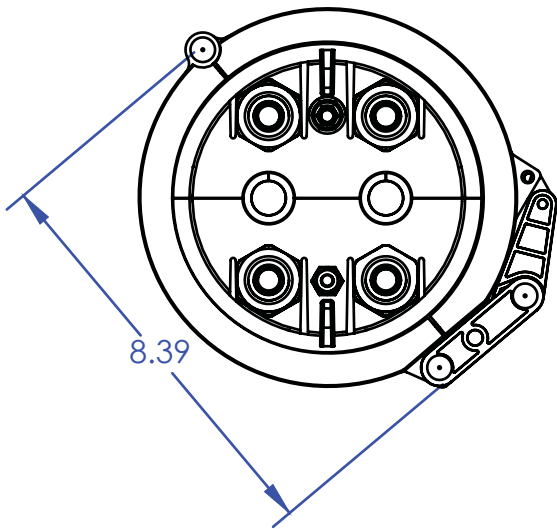
Stock ID	Description
10-8365	Fiber Optic Dome Splice Enclosure w/ 1 Splice Tray
020-049-10	Fiber Optic Dome Splice Enclosure w/ Splice Tray & 6 ground lugs
10-9126	Fiber Optic Dome Splice Enclosure w/ Pedestal
10-8007	4048-SSTP Splice Tray 24 Single/48 Ribbon Splice Capacity
10-8362	Aerial Hanger Kit
072-001-10	Wall / Pole Mounting Kit
072-002-20	ADSS Mounting Kit
10-8181	Cable Addition Kit
10-7166	Compression Wrench for 3/4" NPT Fittings Aluminum
065-058-10	Slack Rack Steel/Powder Coated, Black
10-6635	4000-D Assembly Stand

Cable Entry Grommets

Stock ID		Description
Each	10 Pack	
10-8084	10-8096	4 port Insert .20" to .24" (5mm to 6mm)
10-8087	10-8106	4 port Insert .16" to .20" (4mm to 5mm)
10-8085	10-8097	3 port Insert .24" to .28" (6.1mm to 7.1mm)
10-8090	10-8109	3 port Insert .16" to .20" (4mm to 5mm)
10-8091	10-8110	2 port Insert .25" to .29" (6.3mm to 7.4mm)
10-8088	10-8107	1 port Insert .27" to .31" (6.85mm to 7.87mm)
10-8092	10-8111	3 port Flat cable Insert (Corning, Alcatel, Sumitomo, drop cable)

NOTE: Other multiport cable seal inserts are available; please contact Customer Service for more information

Dimensional Drawing



Multilink®

Simply More...



Multilink Inc.
 580 Ternes Ln
 Elyria, OH 44035
 Tel: (440) 366-6966
 Fax: (440) 366-6802



facebook.com/GoMultilink1



twitter.com/GoMultilink



youtube.com/GoMultilink

© Multilink Inc. 2020 • All Rights Reserved

North America	Europe, Middle East & Africa	Latin & South America
Tel: +1 440 366 6966 Fax: +1 440 366 6802 Email: engsupport@gomultilink.com	Tel: +1 440 366 6966 Fax: +1 440 366 6802 Email: engsupport@gomultilink.com	Tel: +1 440 366 6966 Fax: +1 440 366 6802 Email: lasupport@gomultilink.com

Contact Us |