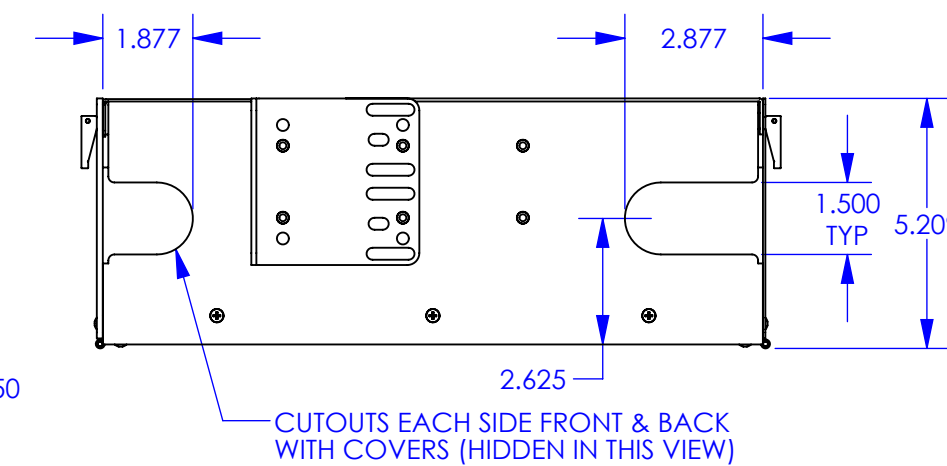
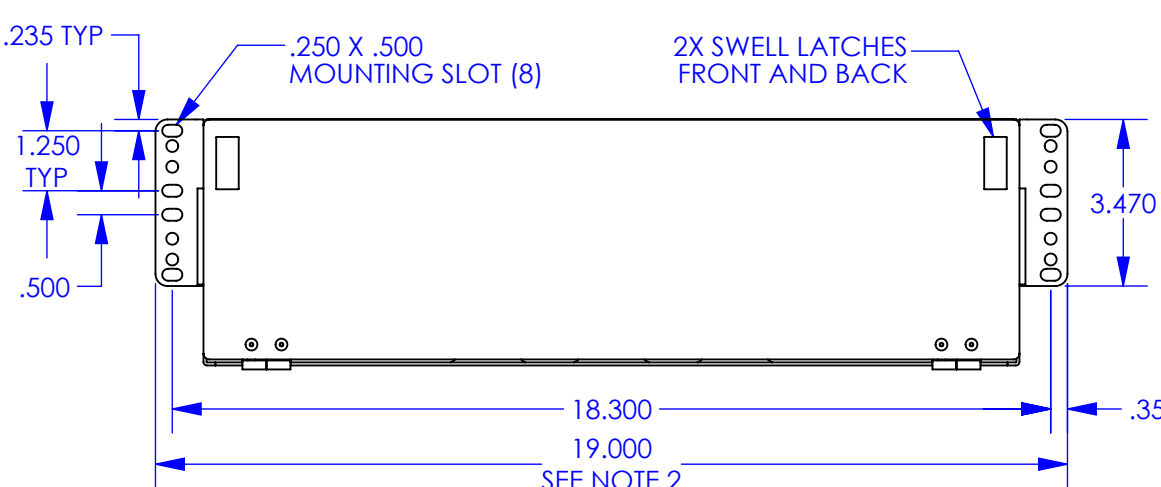
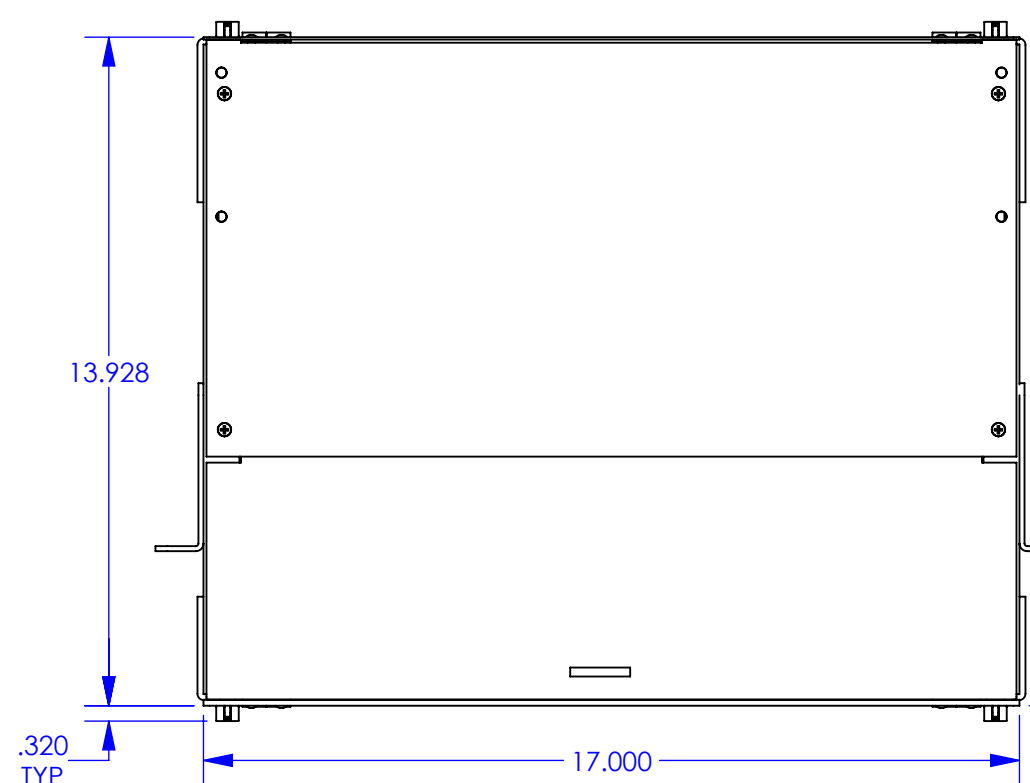
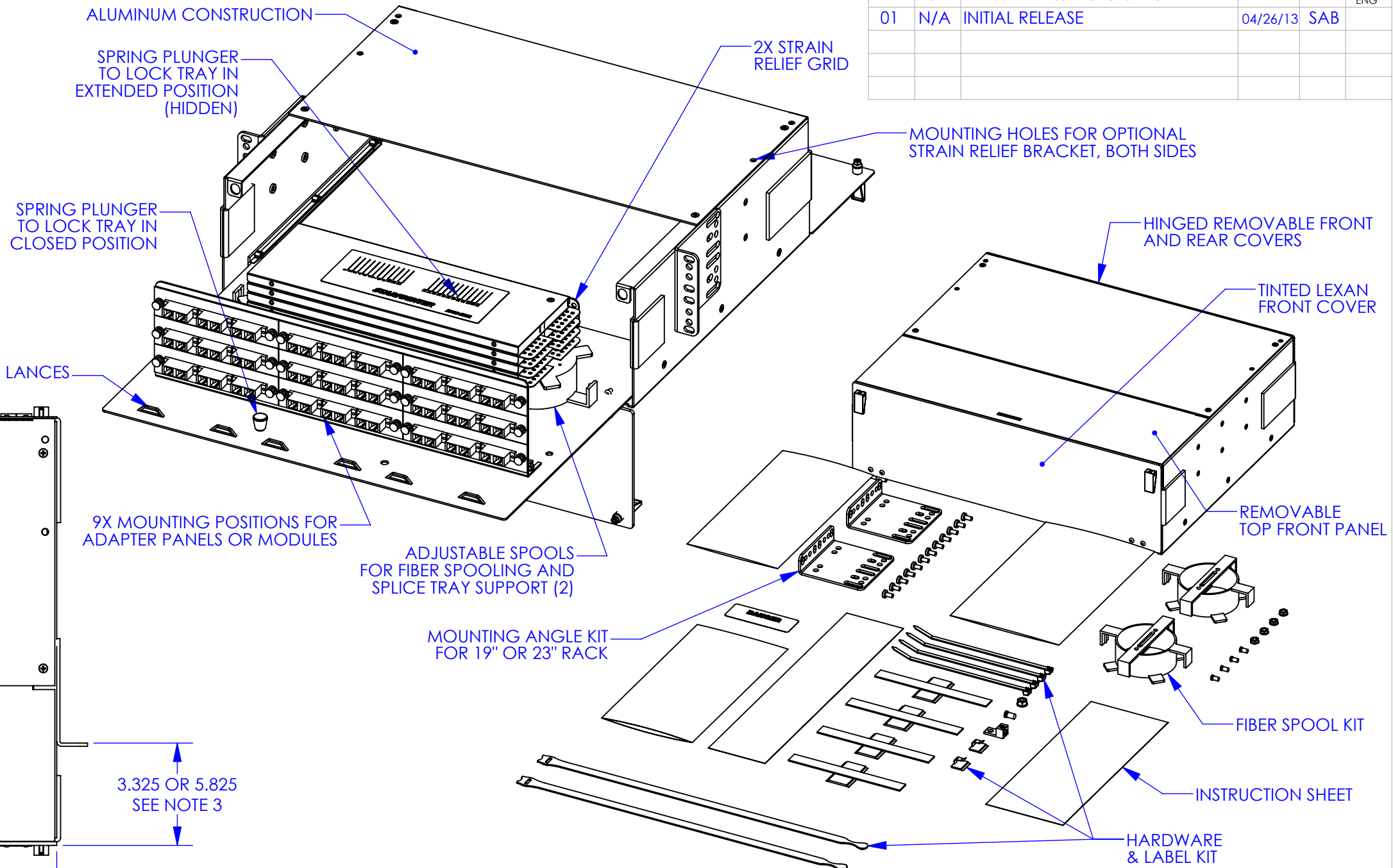
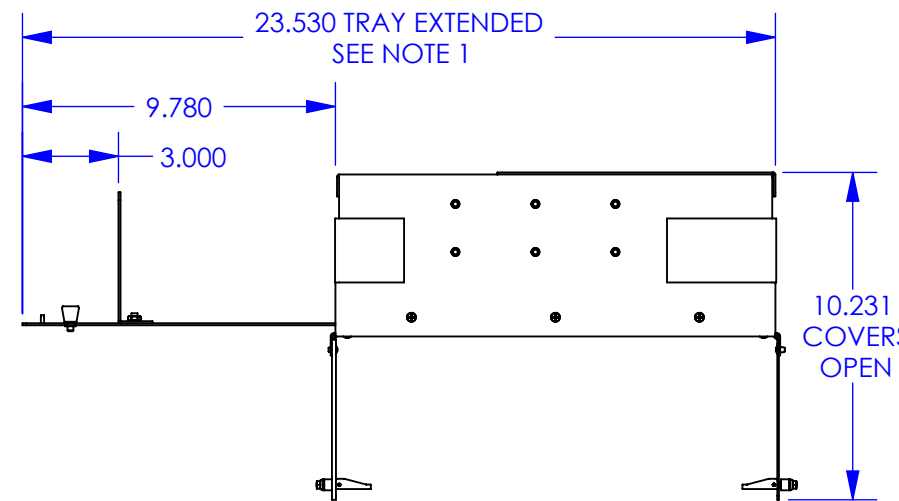


REV.	ECN #	DESCRIPTION OF CHANGE	DATE	BY	MFG ENG
01	N/A	INITIAL RELEASE	04/26/13	SAB	



- NOTES:
1. TRAY LOCKS IN EXTENDED POSITION WITH SPRING PLUNGER.
 2. MOUNTING ANGLES ARE CONFIGURABLE FOR 19" RACK (SHOWN) AND 23" RACK.
 3. MOUNTING ANGLES HAVE (2) MOUNTING POSITIONS, FORWARD MOST SHOWN.
 4. ALSO AVAILABLE IN OFF-WHITE, P/N 045-799-11.
 5. SPLICE TRAYS AND ADAPTER PANELS SHOWN FOR REFERENCE ONLY.

UNLESS OTHERWISE SPECIFIED DIMENSIONS ARE IN INCHES TOLERANCES ARE:

FRACTIONS: ±1/32	DECIMALS: .XX=±.03 .XXX=±.010	ANGLES: ±1°
------------------	----------------------------------	-------------

ALL FLATS TO BE ±.005

NO SHARP EDGES OR BURRS ALLOWED

MATERIAL: SEE B.O.M.
FINISH: BLACK TEXTURED

DO NOT SCALE DRAWING

THIS DOCUMENT AND THE INFORMATION CONTAINED THEREIN ARE CONFIDENTIAL & PROPRIETARY TO MULTILINK AND MAY NOT BE COPIED OR DISCLOSED TO OTHERS WITHOUT A WRITTEN CONSENT FROM MULTILINK. THE INFORMATION IS TO BE PROMPTLY RETURNED TO MULTILINK UPON REQUEST.

DRAWN BY: SAB
CHECKED: DATE: 04/26/2013
MFG ENG: DATE:
QUALITY ENG: DATE:

Multilink

FRM-3RU-9X-TS-S BK

SIZE: B	DWG. NO.: 045-799-10REF	REV.: 01
SCALE: 1:4	CAD FILE: 045-799-10REF	SHEET: 1 OF 1